

# Z154 12" SQUARE TOP PROM-DECK DRAIN WITH HEEL-PROOF GRATE AND ROTABLE FRAME



PATENTED

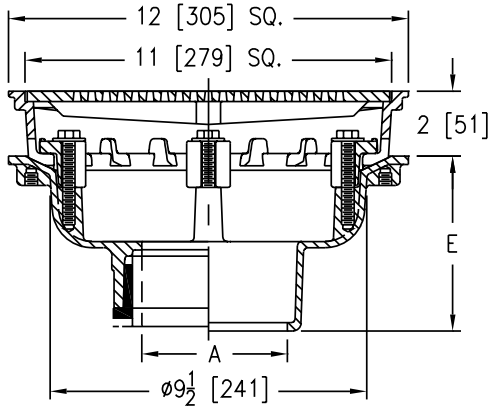
## ENGINEERING SPECIFICATION

Zurn Z154 12" square top prom-deck drain features Dura-Coated cast iron body with rotatable, light-duty, square promenade frame with seepage openings, frame clamps and light-duty, heel-proof grate.

## NOTES

†Add 3/16" to 2" dimension and 5/8" to 12" dimension

A Pipe Size inches [mm]	Grate Open Area sq in [cm <sup>2</sup> ]	Approximate Weight lb [kg]
2 [51], 3 [76], 4 [102], 6 [152]	34 [219]	29 [13]



PREFIXES	DESCRIPTION	PIPE SIZE	LIST PRICE
Z154*	D.C.C.I. Body with Top	2", 3", 4", 6"	1,078.00
ZB154†	D.C.C.I. Body with Polished Bronze Top	2", 3", 4", 6"	1,719.00
ZN154†	D.C.C.I. Body with Polished Nickel Bronze Top	2", 3", 4", 6"	1,817.00

OUTLETS (SPECIFY PIPE SIZE IN INCHES AND TYPE OF OUTLET)			
OUTLET TYPE	OUTLET DESIGNATION (PIPE SIZE/OUTLET TYPE)	E BODY HT. DIM.	ADD
IC	Inside Caulk	2IC, 3IC, 4IC, 6IC	5-1/4" N/C
IP	Threaded	2IP, 3IP, 4IP, 6IP	3-3/4" 80.00
NH	No-Hub	2NH, 3NH, 4NH, 6NH	5-1/4" N/C
NL	Neo-Loc (not recommended for roof drains)	2NL, 3NL, 4NL	4-9/16" N/C

SUFFIXES	ADD
-AR	Acid Resistant Epoxy Coated Finish 1,017.00
-C	Underdeck Clamp 150.00
-DG	Duresist Grate (Z Only) 544.00
Ⓢ -DP	Top-Set® Roof Deck Plate 339.00
-DT	Decorative Polished Top (ZB and ZN Only) 178.00
-E	2" High Static Extension D.C.C.I. 171.00
	Galv. 326.00
	For Each Additional 1" above 2" - Per Inch (Specify Height) D.C.C.I. 87.00
	Galv. 165.00
Ⓢ -EB	Top-Set Adjustable Extension Assembly 503.00
-G	Galvanized Cast Iron 501.00
-S	Secondary Strainer 98.00
-SC	Secondary Clamp Collar 194.00
Ⓢ -TC	Neo-Loc Test Cap Gasket (2", 3", 4" NL Bottom Outlet Only) 24.00
-TS	Top Secured with Slotted Screws 129.00
-VP	Vandal-Proof Secured Top 147.00
-Y	Sediment Bucket 257.00
-85	Stainless Steel Perforated Extension 1" thru 4" 626.00
	For Each Additional 1" above 4" - Per Inch (Specify Height) 72.00
-90	90° Threaded Side Outlet Body (2", 3", 4") 158.00

BEST SELLERS	LIST PRICE
Z154-3NH	1,078.00
Z154-3NH-C	1,228.00
Z154-3NH-VP	1,225.00
Z154-3NL	1,078.00
Z154-3NL-85=4	1,704.00
ZN154-3NL	1,817.00
ZB154-3NL	1,719.00
Z154-4NH	1,078.00
Z154-4NH-EB	1,581.00
ZN154-4NH-85=4	2,443.00
ZN154-4NL	1,817.00
ZN154-4NL-VP	1,964.00
ZN154-6NH	1,817.00

Supplied By:



877-903-7246

www.commercialplumbingsupply.com